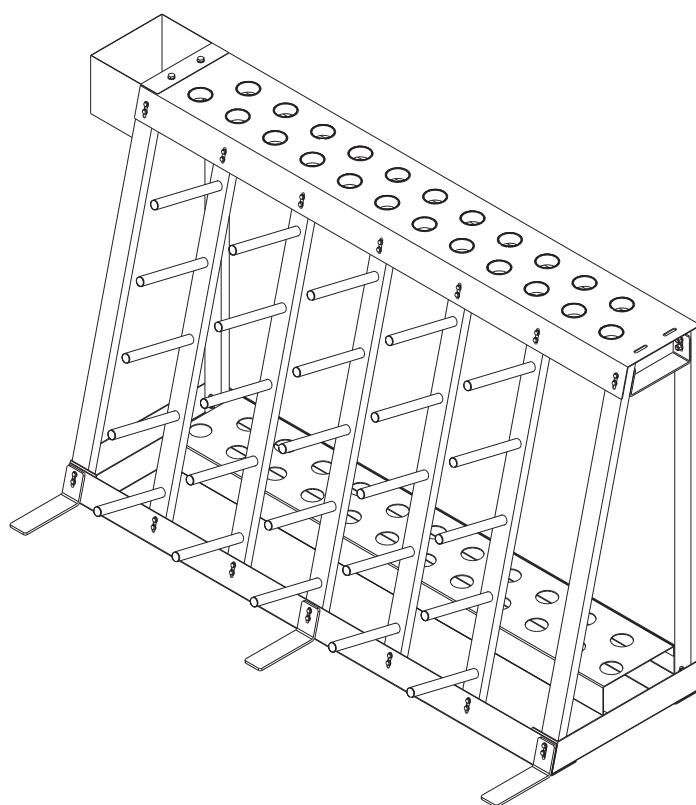


UA200

OWNER'S MANUAL

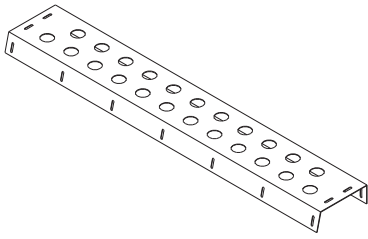


ASSEMBLY INSTRUCTION

PARTS LIST

#ITEM	DESCRIPTION	Q'TY
1	TOP PANEL	1
2	BOTTOM PANEL	1
3	FRONT BOTTOM PANEL	1
4	REAR BOTTOM PANEL	1
5	BACK STRUT TUBE	2
6	ACK STRUT TUBE	2
7	WEIGHT TUBE	5
8	SPRING COLLAR BOX	1
9	LEFT SIDE PANEL	1
10	RIGHT SIDE PANEL	1
11	L BRACKET	3
12	U BRACKET	2
13	WEIGHT TUBE	25
14	φ22 ROUND END CAP	25
15	2" GROMMETS	23
16	M8X25mm HEX BOLT	25
17	M6X50mm HEX BOLT	6
18	M6X45mm HEX BOLT	30
19	M6X12mm HEX BOLT	5
20	M8 WASHER	25
21	M6 WASHER	82
22	M8 SPRING WASHER	25
23	M6 LOCKNUT	41

PART DRAW AND HARD WARE



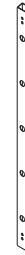
(1)TOP PANEL



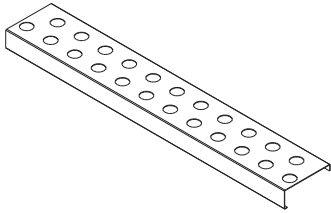
(5)BACK STRUT TUBE



(6)FRONT STRUT TUBE



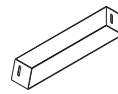
(7)WEIGHT TUBE



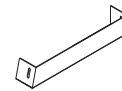
(2)BOTTOM PANEL



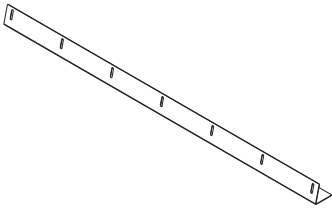
(8) SPRING COLLAR BOX



(9) LEFT SIDE PANEL



(10) RIGHT SIDE PANEL



(3)FRONT BOTTOM PANEL



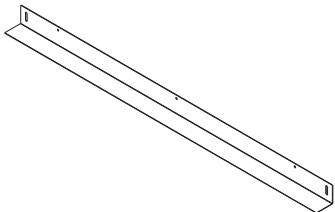
(11) L BRACKET



(12)U BRACKET



(13)WEIGHT TUBE



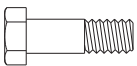
(4)REAR BOTTOM PANEL



(14) ϕ 22 ROUND END PLUG



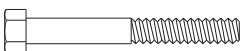
(15)2" GROMMETS



(16)M8X25mm HEX BOLT 25PCS



(19)M6X12mm HEX BOLT 5PCS



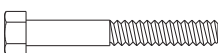
(17)M6X50mm HEX BOLT 6PCS



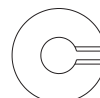
(20)M8 WASHER 25PCS



(21)M6 WASHER 82PCS



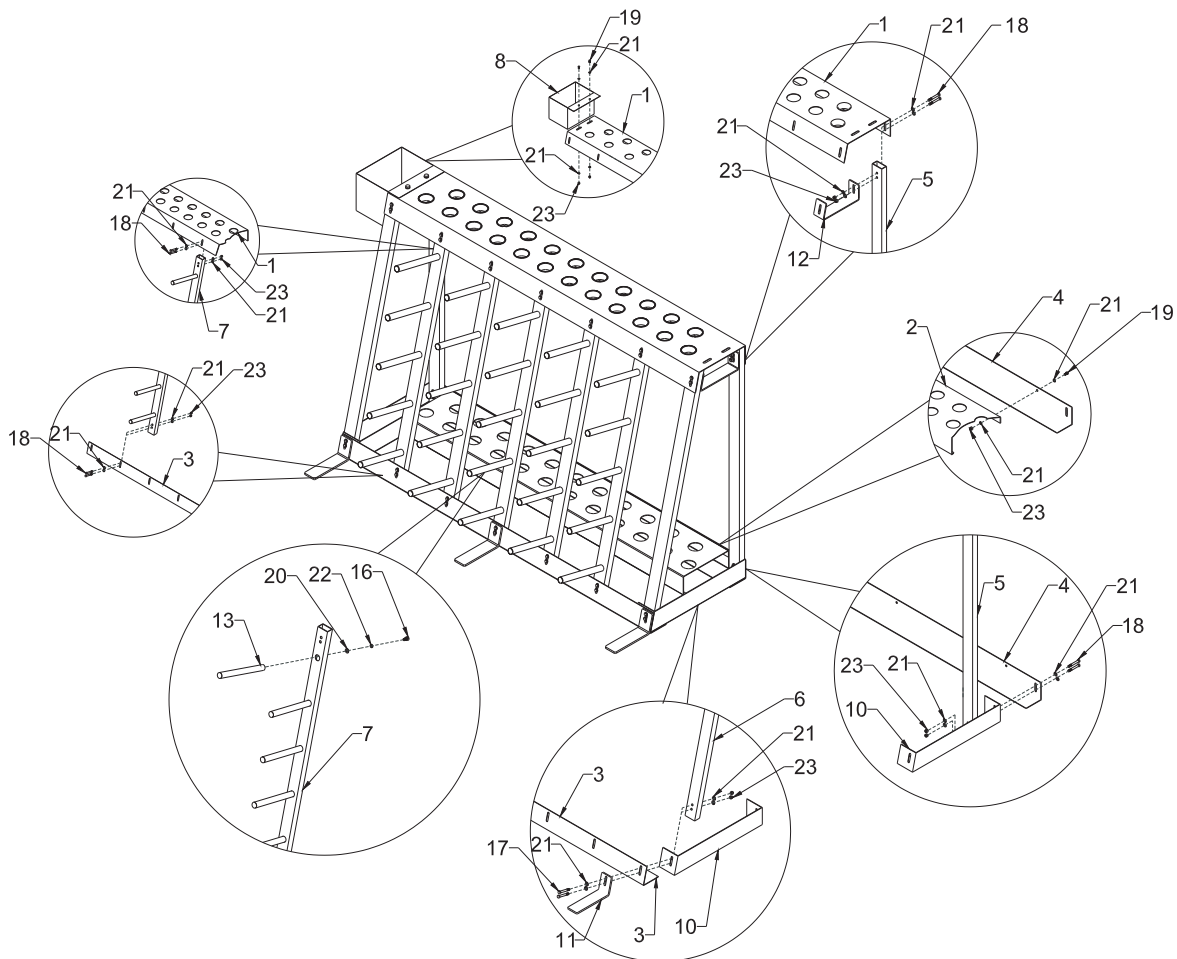
(18)M6X45mm HEX BOLT 30PCS



(22)M8 SPRING WASHER 25PCS



(23)M6 LOCKNUT 41PCS



- Storage System and check the parts list to ensure you have all the parts.
- Assemble the bottom panel to the rear bottom panel. Use the M6X12mm hex bolts (19) [3 places]. Tighten bolts securely(both ends and middle). (See sketch)
- Lay out the assembled rear bottom panel with left and right side panels and front bottom panel. Align and bolt holes.
- Locate the 4 corner strut tubes. **Note: the shorter tube go in the back and the longer tube go in the front.** Assemble the 2 back corner strut tubes on the inside of the base with the side panel. **The silver painted end must go to the top.** Install 2 M6X50mm hex bolts (17), 4 M6 washers (21) and 2 M6 lock nuts (23). Finger tighten bolts only.
- Located 2 L brackets. Assemble the 2 front corner strut tubes on the inside of the base. **The silver painted end must go to the top.** Install 2 M6X50mm hex bolts (17), 4 M6 washers (21) and 2 M6 lock nuts (23). Finger tighten bolts only.
- Install the 2" grommets (15) into the top panel (1). Place top panel on top of the four corner legs. Align u brackets and install 2 M6X45mm hex bolts (18), 4 M6 washers (21) and 2 M6 lock nuts (23) per leg through top, leg, and u bracket. Finger tighten bolts only.
- Assemble weight pegs, 5 per weight tube. Install peg into weight tube secure using M8 washers (20), M8 spring washer (22) and M8X25mm hex bolts (23). Repeat for remaining 4 weight tubes.
- Install middle weight tube assembly on the inside of the top and bottom panel and the L bracket. Note: the closer spaced pegs go to the top. Install 2 M6X50mm hex bolts (17), 4 M6 washers (21) and 2 M6 lock nuts (23) through the L bracket ,bottom panel, and middle weight tube assembly. Finger tighten bolts only.
- Install 4 remaining weight tube assemblies on the inside of the top and bottom panels. **Note: the closer spaced pegs go to the top.** Install 2 M6X45mm hex bolts (18), 4 M6 washers (21) and 2 M6 lock nuts (23) through the top panel and each of the weight tube assemblies. Install 2 M6X45mm hex bolts (18), 4 M6 washers (21) and 2 M6 lock nuts (23) through the bottom panel and each of the weight tube assemblies. Finger tighten bolts only.
- Once all the weight tube assemblies have been installed, check to see that the L brackets long side is flat on the floor. Secure tighten all corner strut and weight tube assembly bolts using 2 wrenches.
- Install spring collar box on the top panel, left side. Use M6X12mm hex bolts (19), 4 M6 washers (21) and 2 M6 lock nuts (23).
- Install 22mm round end plugs into the end of each weight peg.
- Re-check all bolts for tightness.